

VALOR FIRES

INSTALLER GUIDE

BBU Wall fascia.

For use with the **Baxi Bermuda BBU15 HE** Boiler.

This guide must be read in conjunction with guide supplied with the firefront.

BAXI • VALOR • WONDERFIRE

Important: Please keep your guide in a safe place for future reference.

© **Baxi Heating U.K. Limited 2010.**

All rights reserved. No part of this publication may be reproduced in any material form (including photocopying), stored in any medium by electronic means (including in any retrieval system or database) or transmitted, in any form or by any means, whether electronic, mechanical, recording or otherwise, without the prior written permission of the copyright owner.

Applications for the copyright owner's permission to reproduce any part of this publication should be made, giving details of the proposed use, to the following address: The Company Secretary, Brooks House, Coventry Road, Warwick, CV34 4LL

Warning: Any person who does any unauthorised act in relation to a copyright work may be liable to criminal prosecution and civil claims for damages.

Valor Fires, Erdington, Birmingham B24 9QP.
www.firesandstoves.co.uk

Because our policy is one of constant development and improvement, details may vary slightly from those given in this publication.

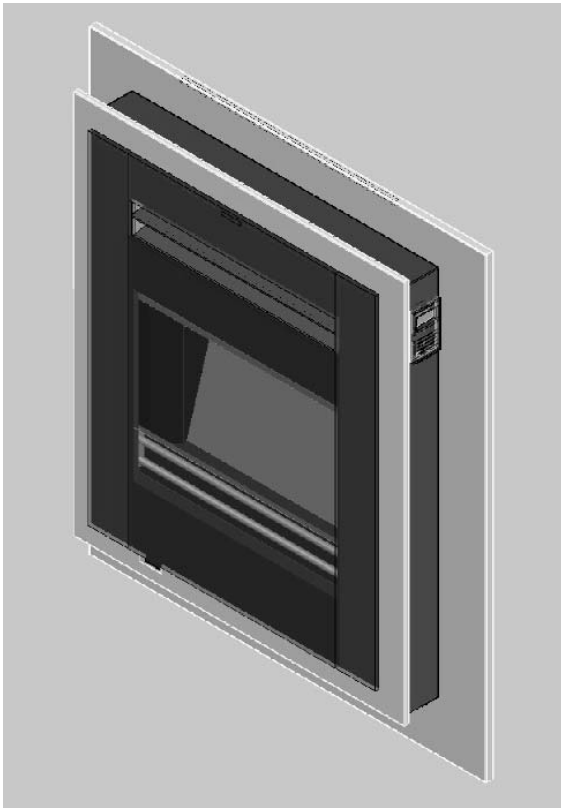
INSTALLER GUIDE

CONTENTS

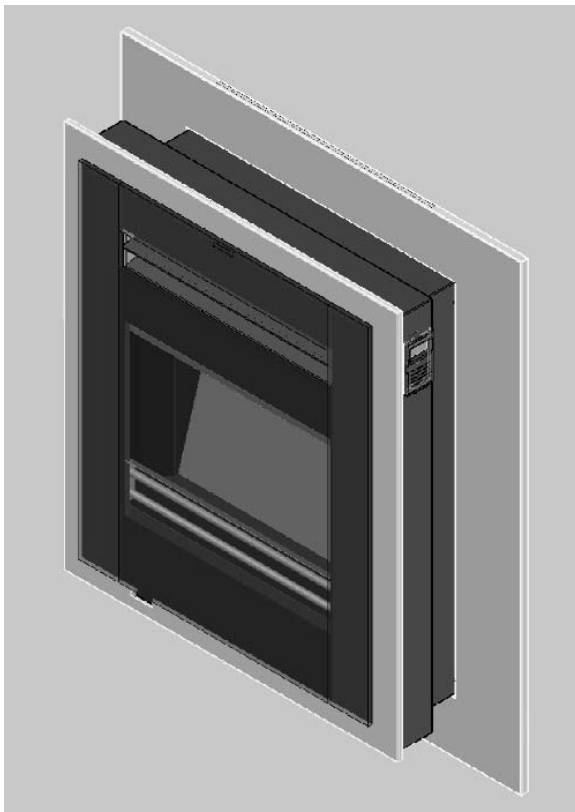
<u>Section</u>	<u>Heading</u>	<u>Page</u>
1.	IMAGES	4
2.	HANDLING AND UNPACKING	5
3.	PACK CONTENTS	5
4.	FITTING THE WALL FASCIA	7
	Where can you fit the wall fascia?	7
	What opening sizes is the wall fascia designed for?	7
	Do I need any tools?	7
	Fitting the lower wall bracket.	7
	Fitting the upper wall bracket.	8
	Fitting the rear panel.	8
	Fitting the inner frame assembly.	9
	Fitting the boiler control.	10
	Fitting the firefront.	10
5.	REMOVAL OF THE FIREFRONT FOR BOILER SERVICING.	11
	Removing the firefront.	11
	Removing the wall fascia.	11

INSTALLER GUIDE

1. IMAGES



Shown with wall fascia recessed into opening and Innova firefront installed



Shown with wall fascia forward of opening and Innova firefront installed

INSTALLER GUIDE

2. HANDLING AND UNPACKING

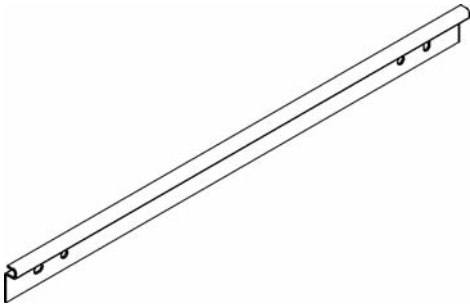
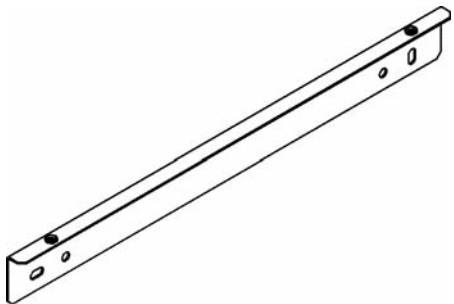
Before continuing any further with the installation of this wall fascia please read the following:

Important instructions.

- The approximate lifting weights (kg) of the wall fascia parts are listed below:

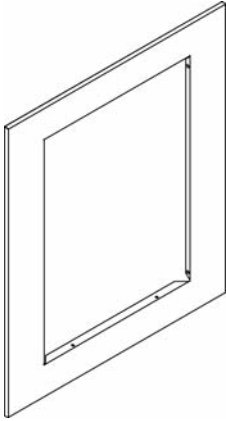
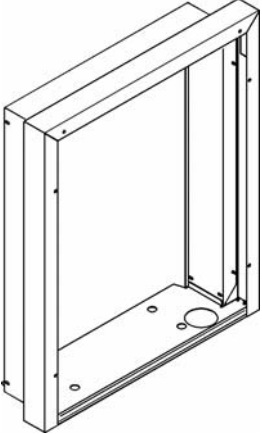
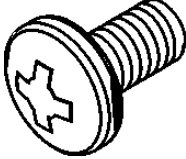
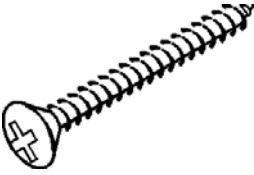
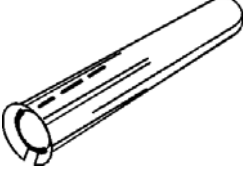
<u>Description</u>	<u>Weight</u>
Rear wall plate	1.83
Spacer assembly	2.65

- One person should be sufficient to lift the wall fascia parts. If for any reason this weight is considered too heavy then obtain assistance.
- When lifting always keep your back straight. Bend your legs and not your back.
- Avoid twisting at the waist. It is better to reposition your feet.
- Avoid upper body / top heavy bending. Always bend from the knees rather than the waist. Do not lean forward or sideways whilst handling the wall fascia parts.
- Always grip with the palm of the hand. Do not use the tips of fingers for support.
- Always keep the wall fascia parts as close to the body as possible. This will minimise the cantilever action.
- Use gloves to provide additional grip.
- Always use assistance if required.

Contents	Quantity	(Illustrations are not to scale)
Upper wall bracket	1	
Lower wall bracket	1	

INSTALLER GUIDE

3. PACK CONTENTS

Contents	Quantity	(Illustrations are not to scale)
Rear Panel	1	
Spacer assembly	1	
M4 x 6mm head screw	12	
Woodscrew	4	
Wall plug	4	

4. FITTING THE WALL FASCIA

Where can you fit the wall fascia?

The wall fascia is intended for use with the Baxi Bermuda BBU15 HE Boiler and where the boiler is in an elevated opening.

Please note that the guide supplied with the firefront may not recommend fitting into elevated openings. This can be ignored when using this wall fascia.

What opening sizes is the wall fascia designed for?

Height - Minimum 590mm - Maximum 640mm.

Width - Minimum 445mm - Maximum 635mm.

Do I need any tools?

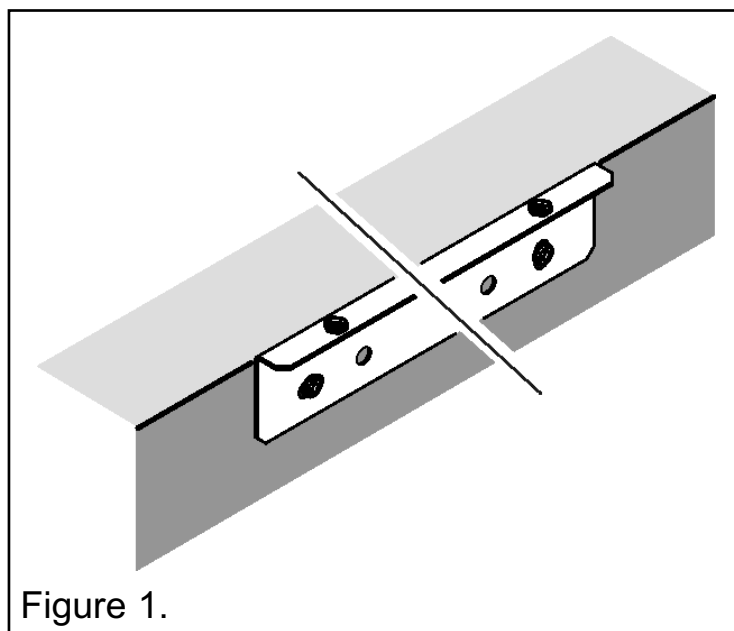
You will need:

- A Pozidrive / Phillips / cross head screwdriver. This should have a number 2 size tip.
- A Power drill, preferably with hammer action, fitted with a suitably sized drill bit for the wall plugs supplied.
- A spirit level.

Fitting the lower wall bracket.

The lower wall bracket has four holes in its rear and two threaded inserts in the top. Locate the bracket centrally so that the top is level with the base of the builders opening. It is important that the bracket is level, we therefore recommend the use of a spirit level.

1. Mark the position of two of the four fixing holes on the wall.
2. Remove the bracket from the wall and drill the marked positions with a suitably sized drill bit for the wall plugs supplied.
3. Insert two wall plugs.
4. Locate the bracket and secure using two wood screws.



INSTALLER GUIDE

Fitting the upper wall bracket.

The upper wall bracket has four holes in its rear and a raised 'U' shaped edge at the top. The distance from the top surface of the lower wall bracket to the centres of the fixing holes is 650mm. Measure and mark this distance on the wall. Locate the bracket centrally so that the centre of its fixing holes is in line with the marked distance. It is important that the bracket is level, we therefore recommend the use of a spirit level.

1. Mark the position of two of the four fixing holes on the wall.
2. Remove the bracket from the wall and drill the marked positions with a suitably sized drill bit for the wall plugs supplied.
3. Insert two wall plugs.
4. Locate the bracket and secure using two wood screws.

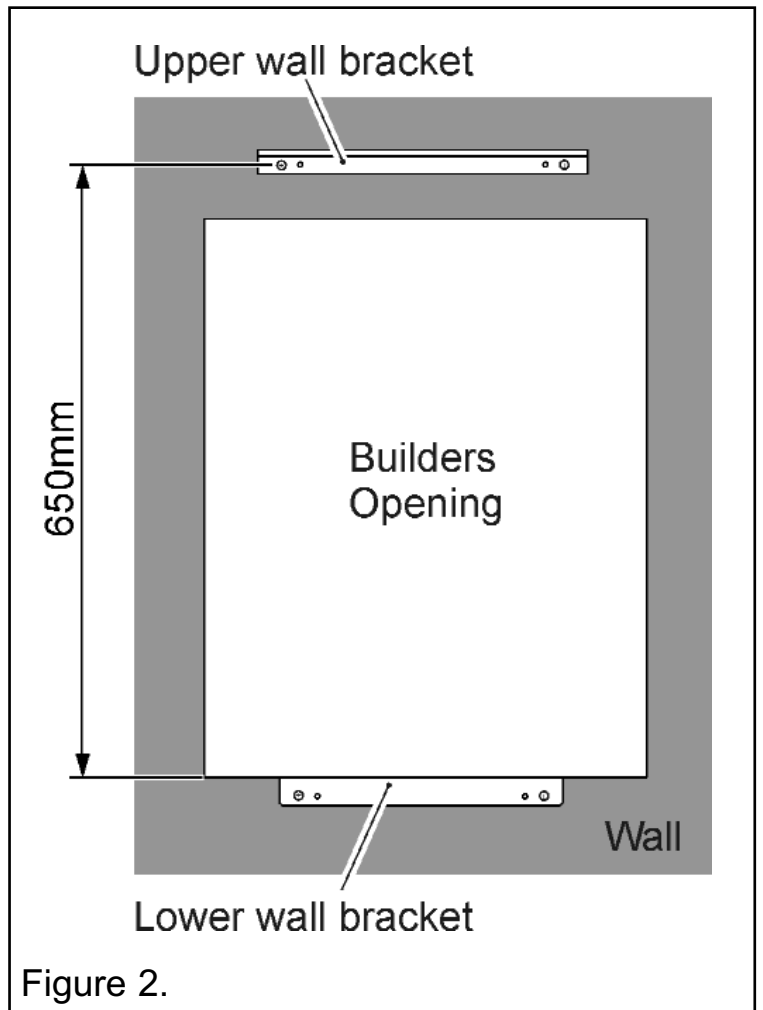


Figure 2.

Fitting the rear panel.

1. Locate the top of the rear panel over the upper wall fixing bracket.
2. Gently slide the rear panel from side to side to align the holes in the bottom flange with those in the top of the lower wall bracket.
3. With the holes aligned insert two M4 x 6mm screws to secure the rear panel.

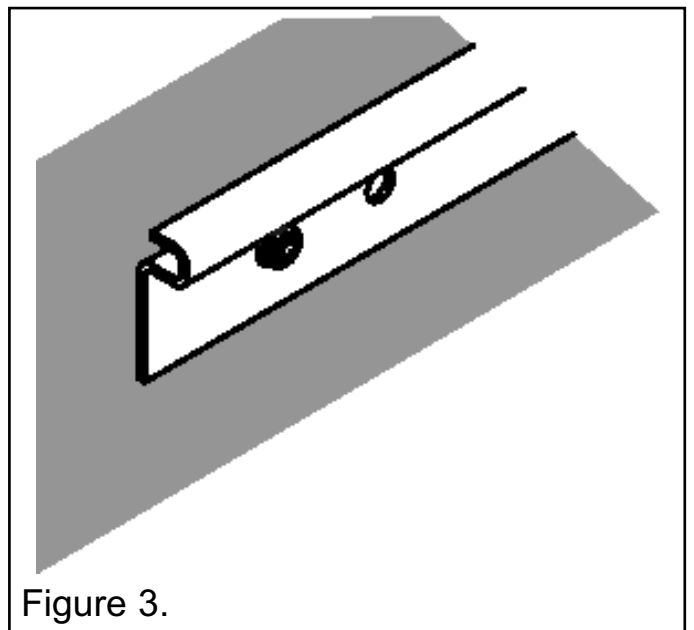


Figure 3.

INSTALLER GUIDE

Fitting the inner frame assembly.

Method 1 of 2 - Fitting the Inner frame forward of the builders opening (See figure 4).

1. Insert the rear of the inner frame assembly into the opening in the rear panel.
2. Align the four holes at the rear of the inner frame assembly with those in the flanges of the rear panel (See figure 4).
3. Secure the inner frame assembly using four M4 x 6mm screws as supplied.

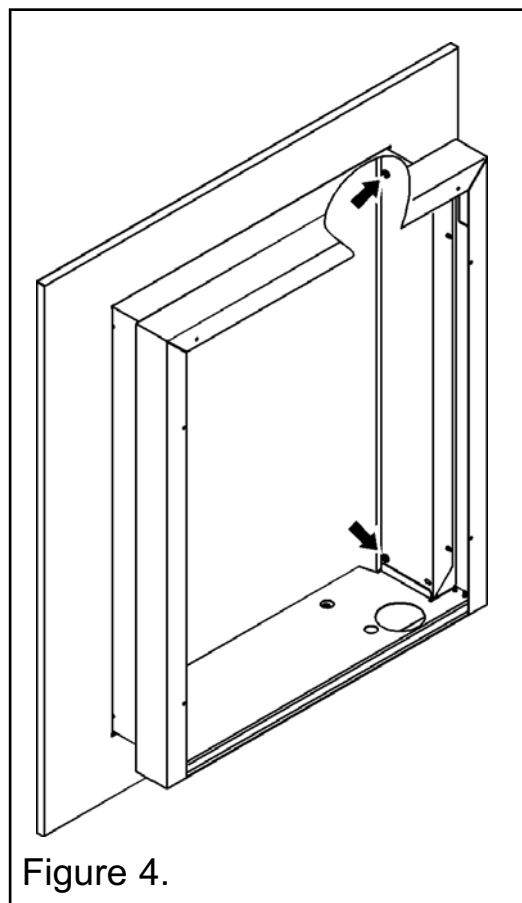


Figure 4.

Method 2 of 2 - Fitting the Inner frame recessed into the builders opening with only the front section of the inner frame assembly forward of the builders opening (See figure 5).

1. Insert the rear of the inner frame assembly into the opening in the rear panel.
2. If required, place the plug and lead from the firefront through the hole in the base of the inner frame.
3. Align the four holes located near the middle of the inner frame assembly with those in the flanges of the rear panel (See figure 5).
4. Secure the inner frame assembly using four M4 x 6mm screws as supplied.

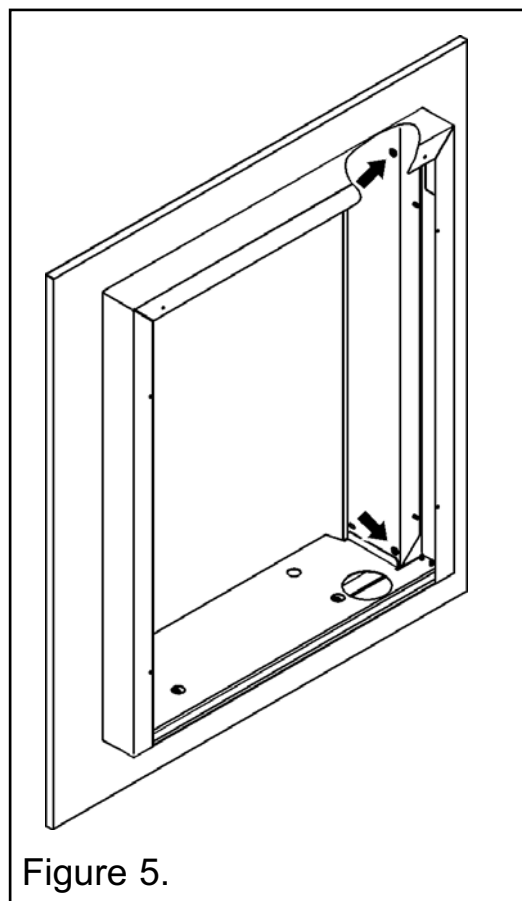


Figure 5.

INSTALLER GUIDE

Fitting the boiler control.

Note: The boiler control is supplied with the firefront and is not part of this wall fascia.

1. Insert the boiler control lead through the opening in the spacer frame, then ensuring that the display is at the top, gently push the boiler control into place. The control will 'click' into place. Connect the boiler control lead to the lead on the boiler and check the boiler operation.

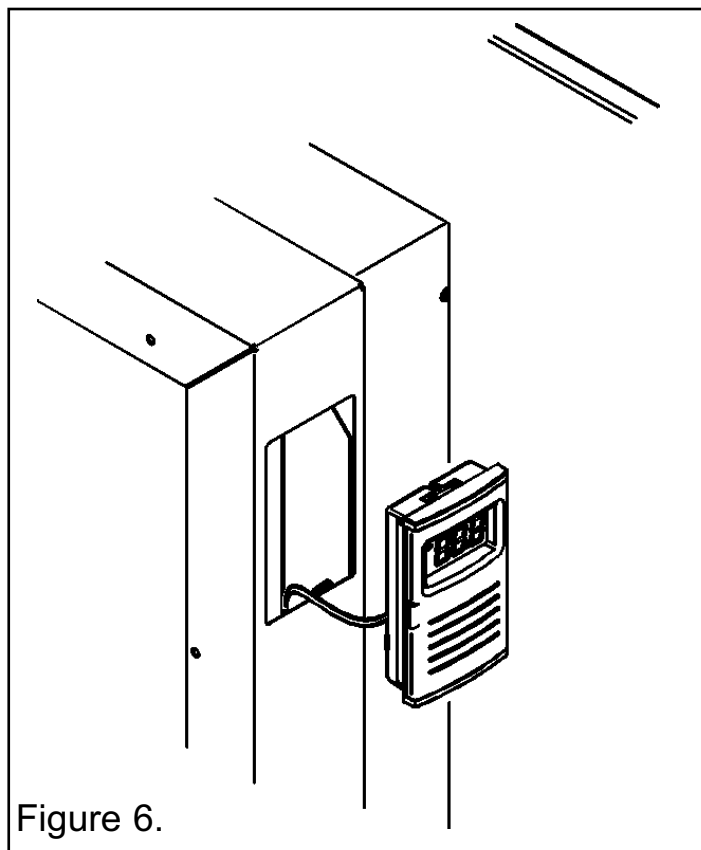


Figure 6.

Fitting the firefront.

- 1.** Locate the firefront into the inner frame.
- 2.** Secure the firefront using six M4 x 6mm screws supplied (See figure 7).

Continue with the installation of the firefront as in the Installer and Owner guide supplied with the firefront.

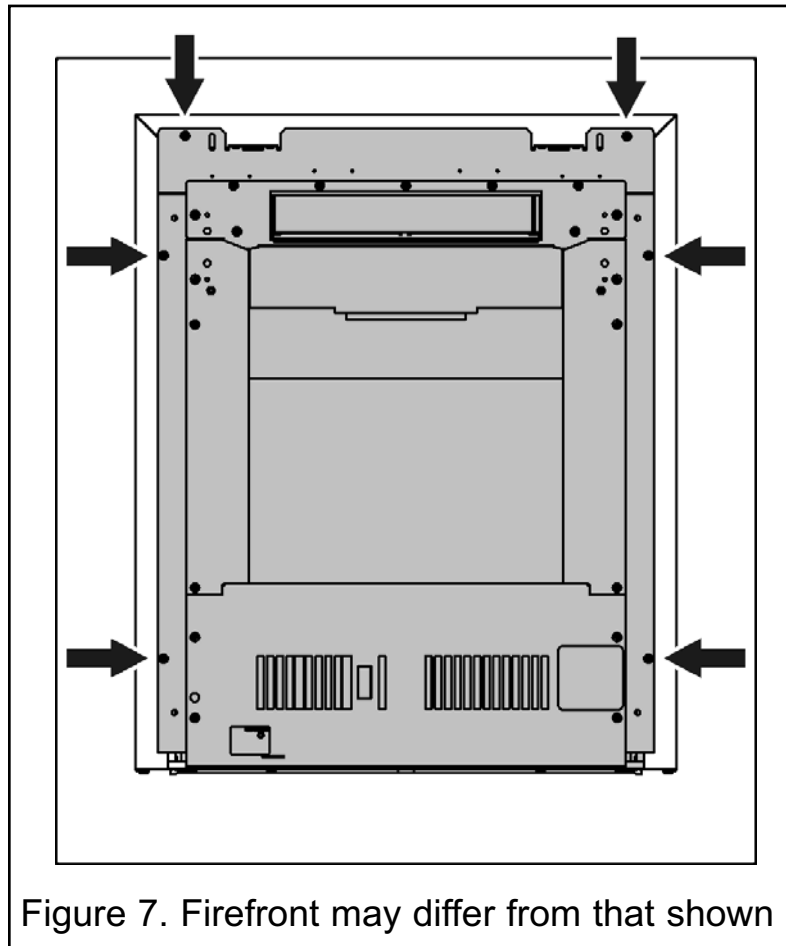


Figure 7. Firefront may differ from that shown

5. REMOVAL OF THE FIREFRONT FOR BOILER SERVICING.

Removing the firefront.

1. Isolate the electric supply to the firefront.
2. Unscrew and remove the six M4 x 6mm screws that secure the firefront (See figure 7).
3. Gently pull the firefront forward, ensuring that the mains cable is not trapped or damaged.

Removing the wall fascia.

1. Disconnect the boiler control lead from the lead on the boiler.
2. Unscrew and remove the four M4 x 6mm screws that secure the inner frame assembly to the rear panel (See figures 4 & 5). Gently pull the inner frame assembly forward and clear of the rear panel.
3. Unscrew and remove the two M4 x 6mm screws that secure the rear panel to the lower wall bracket.
4. Gently pull the base of the rear panel forward and upward to remove the rear panel.

VALOR FIRES